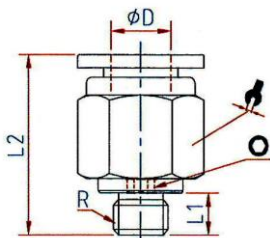


Our push-in fittings series manufactured in plastic and nickel-plated brass. Space-saving miniature design.

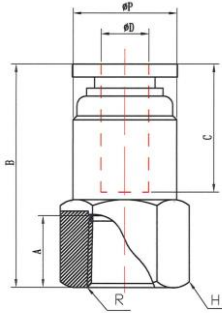
| | |
|--------------------|--|
| Working pressure: | -0.95 - 10 bar |
| Temperature range: | 0 °C to 60 °C |
| Material: | Plastic and nickel-plated brass |
| Sleeve: | Plastic |
| Sealing surface: | O-ring (NBR) |
| Thread: | M thread acc. to DIN 13-1, with O-ring G thread acc. to DIN EN ISO 228-1, with O-ring R thread acc. to ISO 7-1, coated |
| Medium: | Compressed air |
| Recommended Hose: | PU or PA (nylon) |



PCG-186

Male connector, male thread with outer hex, mini

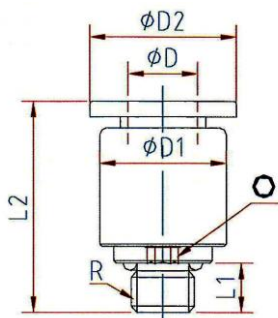
| Art. No. | Type No. | Thread | Ø D mm | L1 mm | L2 mm | ○ mm | a/f mm |
|--|----------|--------|--------|-------|-------|------|--------|
| 108998 | PC-33 | M3x0.5 | 3 | 3.5 | 15.0 | - | 8 |
| 108999 | PC-34 | M3x0.5 | 4 | 3.5 | 17.5 | - | 8 |
| 109000 | PC-53 | M5x0.8 | 3 | 3.5 | 16.0 | 2 | 8 |
| Art. No. 109000 = discontinued product. No longer available. New product 148785 (122.005-3M) | | | | | | | |
| 109001 | PC-54 | M5x0.8 | 4 | 3.5 | 18.5 | 2 | 8 |
| Art. No. 109001 = discontinued product. No longer available. New product 148786 (122.005-4M) | | | | | | | |
| 109002 | PC-56 | M5x0.8 | 6 | 3.5 | 18.0 | 2 | 10 |
| Art. No. 109002 = discontinued product. No longer available. New product 148787 (122.005-6M) | | | | | | | |
| 109003 | PC-63 | M6x1.0 | 3 | 4.0 | 15.0 | 2 | 10 |
| 109004 | PC-64 | M6x1.0 | 4 | 4.0 | 19.0 | 2 | 10 |
| Art. No. 109004 = discontinued product. No longer available. New product 148789 (122.006-4M) | | | | | | | |
| 109005 | PC-66 | M6x1.0 | 6 | 4.0 | 18.5 | 2 | 10 |
| Art. No. 109005 = discontinued product. No longer available. New product 148790 (122.006-6M) | | | | | | | |
| 109006 | PCG-184 | G 1/8 | 4 | 5.5 | 15.2 | 3 | 14 |
| Art. No. 109006 = discontinued product. No longer available. New product 148791 (122.018-4M) | | | | | | | |
| 109007 | PCG-186 | G 1/8 | 6 | 5.0 | 17.2 | 4 | 13 |
| Art. No. 109007 = discontinued product. No longer available. New product 148792 (122.018-6M) | | | | | | | |
| 109008 | PCR-184 | R 1/8 | 4 | 7.5 | 16.0 | 3 | 10 |
| Art. No. 109008 = discontinued product. No longer available. New product 148793 (123.018-4M) | | | | | | | |
| 109009 | PCR-186 | R 1/8 | 6 | 7.5 | 18.5 | 4 | 10 |



PA-54

Male connector, female thread with outer hex, mini

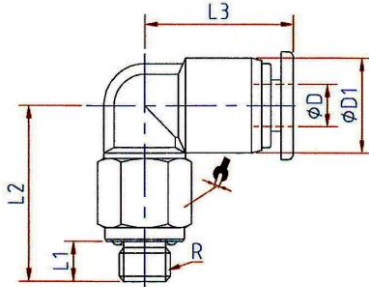
| Art. No. | Type No. | Thread | Ø D mm | Ø P mm | A mm | B mm | C mm | H mm | G mm |
|----------|----------|--------|-----------|-----------|---------|---------|---------|---------|---------|
| 109010 | PA-33 | M3 | 3 | 7.3 | 4.5 | 16.7 | 9.7 | 8 | 7 |
| 109011 | PA-34 | M3 | 4 | 8.0 | 5.0 | 18.0 | 11.7 | 8 | 6 |
| 109012 | PA-53 | M5 | 3 | 7.0 | 5.0 | 16.2 | 9.7 | 8 | 6 |
| 109013 | PA-54 | M5 | 4 | 8.0 | 4.5 | 18.0 | 11.7 | 8 | 7 |



POC-54

Male connector, round, mini

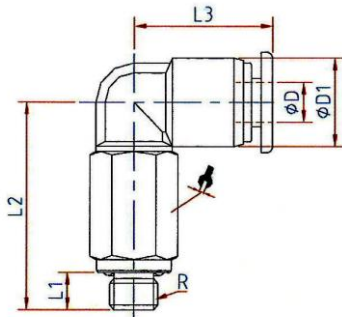
| Art. No. | Type No. | Thread | Ø D mm | L1 mm | L2 mm | Ø D1 mm | Ø D2 mm | Ø mm |
|--|----------|--------|--------|-------|-------|---------|---------|------|
| 109014 | POC-33 | M3x0.5 | 3 | 3.5 | 15.0 | 6.5 | 7.5 | - |
| Art. No. 109014 = discontinued product. No longer available. New product 148799 (207.003-3M) | | | | | | | | |
| 109015 | POC-34 | M3x0.5 | 4 | 3.5 | 17.5 | 8.0 | 10.0 | - |
| 109016 | POC-53 | M5x0.8 | 3 | 3.5 | 16.0 | 8.0 | 7.5 | 2 |
| Art. No. 109016 = discontinued product. No longer available. New product 148801 (207.005-3M) | | | | | | | | |
| 109017 | POC-54 | M5x0.8 | 4 | 3.5 | 18.0 | 8.0 | 10.0 | 2 |
| Art. No. 109017 = discontinued product. No longer available. New product 148802 (207.005-4M) | | | | | | | | |
| 109018 | POC-56 | M5x0.8 | 6 | 3.5 | 18.0 | 10.0 | 11.5 | 2 |
| Art. No. 109018 = discontinued product. No longer available. New product 148803 (207.005-6M) | | | | | | | | |
| 109019 | POC-63 | M6x1.0 | 3 | 4.0 | 15.0 | 10.0 | - | 2 |
| 109020 | POC-64 | M6x1.0 | 4 | 4.0 | 18.5 | 8.0 | 10.0 | 2 |
| Art. No. 109020 = discontinued product. No longer available. New product 148805 (207.006-4M) | | | | | | | | |
| 109021 | POC-66 | M6x1.0 | 6 | 4.0 | 18.5 | 10.0 | 11.5 | 2 |
| Art. No. 109021 = discontinued product. No longer available. New product 148806 (207.006-6M) | | | | | | | | |
| 109022 | POC-74 | M7x1.0 | 4 | 4.5 | 18.5 | 10.0 | - | 3 |
| 109023 | POC-76 | M7x1.0 | 6 | 4.5 | 19.5 | 10.0 | - | 4 |
| Art. No. 109023 = discontinued product. No longer available. New product 152276 (207.007-6M) | | | | | | | | |
| 109024 | POCG-184 | G 1/8 | 4 | 5.5 | 15.2 | 14.0 | 10.0 | 3 |
| 109025 | POCG-186 | G 1/8 | 6 | 5.5 | 17.6 | 14.0 | 11.5 | 4 |
| Art. No. 109025 = discontinued product. No longer available. New product 148810 (207.018-6M) | | | | | | | | |
| 109026 | POCR-184 | R 1/8 | 4 | 7.5 | 15.5 | 10.0 | 10.0 | 3 |
| 109027 | POCR-186 | R 1/8 | 6 | 7.5 | 18.5 | 10.0 | 11.5 | 4 |



PL-64

Male elbow, swivel type, mini

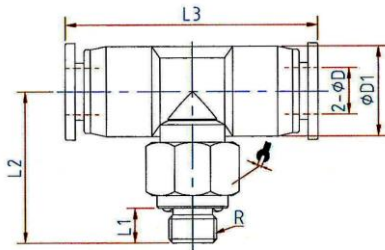
| Art. No. | Type No. | Thread | Ø D mm | L1 mm | L2 mm | L3 mm | Ø D1 mm | a/f mm |
|--|----------|--------|--------|-------|-------|-------|---------|--------|
| 109028 | PL-33 | M3 | 3 | 3.5 | 16.0 | 12.0 | 7.5 | 8 |
| 109029 | PL-34 | M3 | 4 | 3.5 | 17.2 | 14.0 | 9.5 | 8 |
| Art. No. 109029 = discontinued product. No longer available. New product 148814 (125.003-4M) | | | | | | | | |
| 109030 | PL-53 | M5 | 3 | 3.5 | 16.0 | 12.0 | 7.5 | 8 |
| Art. No. 109030 = discontinued product. No longer available. New product 148815 (125.005-3M) | | | | | | | | |
| 109031 | PL-54 | M5 | 4 | 3.5 | 17.2 | 14.0 | 9.5 | 8 |
| Art. No. 109031 = discontinued product. No longer available. New product 148816 (125.005-4M) | | | | | | | | |
| 109032 | PL-56 | M5 | 6 | 3.5 | 17.2 | 16.0 | 11.5 | 8 |
| Art. No. 109032 = discontinued product. No longer available. New product 148817 (125.005-6M) | | | | | | | | |
| 109033 | PL-63 | M6 | 3 | 4.0 | 16.5 | 12.0 | 7.5 | 10 |
| 109034 | PL-64 | M6 | 4 | 4.0 | 17.6 | 14.0 | 9.5 | 10 |
| Art. No. 109034 = discontinued product. No longer available. New product 148819 (125.006-4M) | | | | | | | | |
| 109035 | PL-66 | M6 | 6 | 4.0 | 17.6 | 16.0 | 11.5 | 10 |
| Art. No. 109035 = discontinued product. No longer available. New product 148820 (125.006-6M) | | | | | | | | |
| 109036 | PL-74 | M7 | 4 | 4.5 | 15.7 | 12.0 | 8.0 | 10 |
| 109037 | PL-76 | M7 | 4 | 4.5 | 17.2 | 13.5 | 10.5 | 10 |
| 109038 | PLG-184 | G 1/8 | 6 | 5.5 | 16.5 | 14.0 | 9.5 | 13 |
| 109039 | PLG-186 | G 1/8 | 6 | 5.5 | 16.5 | 16.0 | 11.5 | 13 |
| Art. No. 109039 = discontinued product. No longer available. New product 148824 (125.018-6M) | | | | | | | | |
| 109040 | PLR-184 | R 1/8 | 4 | 7.5 | 18.0 | 14.0 | 9.5 | 10 |
| Art. No. 109040 = discontinued product. No longer available. New product 148825 (126.018-4M) | | | | | | | | |
| 109041 | PLR-186 | R 1/8 | 6 | 7.5 | 18.0 | 16.0 | 11.5 | 10 |
| Art. No. 109041 = discontinued product. No longer available. New product 148826 (126.018-6M) | | | | | | | | |



PLL-53

Male elbow, long, swivel type, mini

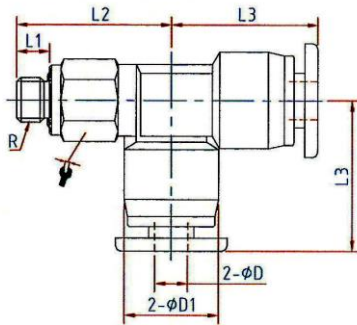
| Art. No. | Type No. | Thread | Ø D mm | L1 mm | L2 mm | L3 mm | Ø D1 mm | a/f mm |
|--|----------|--------|--------|-------|-------|-------|---------|--------|
| 109042 | PLL-33 | M3x0.5 | 3 | 3.5 | 24.0 | 12.0 | 7.5 | 8 |
| 109043 | PLL-34 | M3x0.5 | 4 | 3.5 | 29.2 | 14.0 | 9.5 | 8 |
| 109044 | PLL-53 | M5x0.8 | 3 | 3.5 | 24.0 | 12.0 | 7.5 | 8 |
| 109045 | PLL-54 | M5x0.8 | 4 | 3.5 | 29.2 | 14.0 | 9.5 | 8 |
| Art. No. 109045 = discontinued product. No longer available. New product 148830 (127.005-4M) | | | | | | | | |
| 109046 | PLL-56 | M5x0.8 | 6 | 3.5 | 29.2 | 16.0 | 11.5 | 8 |
| Art. No. 109046 = discontinued product. No longer available. New product 148831 (127.005-6M) | | | | | | | | |
| 109047 | PLL-63 | M6x1.0 | 3 | 4.0 | 24.5 | 12.0 | 7.5 | 10 |
| Art. No. 109047 = discontinued product. No longer available. New product 148832 (127.006-3M) | | | | | | | | |
| 109048 | PLL-64 | M6x1.0 | 4 | 4.0 | 29.6 | 14.0 | 9.5 | 10 |
| 109049 | PLL-66 | M6x1.0 | 6 | 4.0 | 29.6 | 16.0 | 11.5 | 10 |
| Art. No. 109049 = discontinued product. No longer available. New product 148834 (127.006-6M) | | | | | | | | |
| 109050 | PLLG-184 | G 1/8 | 4 | 5.5 | 28.5 | 14.0 | 9.5 | 14 |
| 109051 | PLLG-186 | G 1/8 | 6 | 5.5 | 28.5 | 16.0 | 11.5 | 14 |
| 109052 | PLLR-184 | R 1/8 | 4 | 7.5 | 30.0 | 14.0 | 9.5 | 10 |
| 109053 | PLLR-186 | R 1/8 | 6 | 7.5 | 30.0 | 16.0 | 11.5 | 10 |



PB-54

Male branch tee, swivel type, mini

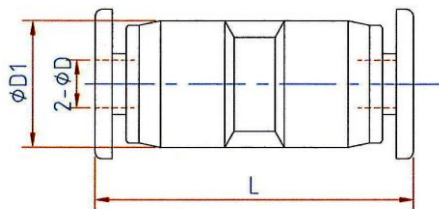
| Art. No. | Type No. | Thread | Ø D mm | L1 mm | L2 mm | L3 mm | Ø D1 mm | a/f mm |
|--|----------|--------|--------|-------|-------|-------|---------|--------|
| 109054 | PB-33 | M3x0.5 | 3 | 3.5 | 16.0 | 24.0 | 7.5 | 8 |
| 109055 | PB-34 | M3x0.5 | 4 | 3.5 | 17.2 | 28.0 | 9.5 | 8 |
| 109056 | PB-53 | M5x0.8 | 3 | 3.5 | 16.0 | 24.0 | 7.5 | 8 |
| 109057 | PB-54 | M5x0.8 | 4 | 3.5 | 17.2 | 28.0 | 9.5 | 8 |
| Art. No. 109057 = discontinued product. No longer available. New product 148842 (131.005-4M) | | | | | | | | |
| 109058 | PB-56 | M5x0.8 | 6 | 3.5 | 18.2 | 32.0 | 11.5 | 8 |
| Art. No. 109058 = discontinued product. No longer available. New product 148843 (131.005-6M) | | | | | | | | |
| 109059 | PB-63 | M6x1.0 | 3 | 4.0 | 16.5 | 24.0 | 7.5 | 10 |
| Art. No. 109059 = discontinued product. No longer available. New product 148844 (131.006-3M) | | | | | | | | |
| 109060 | PB-64 | M6x1.0 | 4 | 4.0 | 17.6 | 28.0 | 9.5 | 10 |
| 109061 | PB-66 | M6x1.0 | 6 | 4.0 | 18.6 | 32.0 | 11.5 | 10 |
| 109062 | PBG-184 | G 1/8 | 4 | 5.5 | 16.5 | 28.0 | 9.5 | 14 |
| 109063 | PBG-186 | G 1/8 | 6 | 5.5 | 16.5 | 32.0 | 11.5 | 14 |
| 109064 | PBR-184 | R 1/8 | 4 | 7.5 | 18.0 | 28.0 | 9.5 | 10 |
| 109065 | PBR-186 | R 1/8 | 6 | 7.5 | 19.0 | 32.0 | 11.5 | 10 |



PD-64

Male branch tee, angled plug connections, swivel type, mini

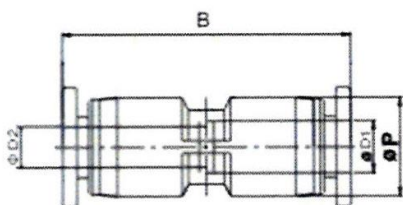
| Art. No. | Type No. | Thread | Ø D mm | L1 mm | L2 mm | L3 mm | Ø D1 mm | a/f mm |
|--|----------|--------|--------|-------|-------|-------|---------|--------|
| 109066 | PD-33 | M3x0.5 | 3 | 3.5 | 16.0 | 12.0 | 7.5 | 8 |
| Art. No. 109066 = discontinued product. No longer available. New product 148851 (129.003-3M) | | | | | | | | |
| 109067 | PD-34 | M3x0.5 | 4 | 3.5 | 17.2 | 14.0 | 9.5 | 8 |
| Art. No. 109067 = discontinued product. No longer available. New product 148852 (129.003-4M) | | | | | | | | |
| 109068 | PD-53 | M5x0.8 | 3 | 3.5 | 16.0 | 12.0 | 7.5 | 8 |
| 109069 | PD-54 | M5x0.8 | 4 | 3.5 | 17.2 | 14.0 | 9.5 | 8 |
| Art. No. 109069 = discontinued product. No longer available. New product 148854 (129.005-4M) | | | | | | | | |
| 109070 | PD-56 | M5x0.8 | 6 | 3.5 | 18.2 | 14.5 | 11.5 | 8 |
| 109071 | PD-63 | M6x1.0 | 3 | 4.0 | 16.5 | 12.0 | 7.5 | 10 |
| Art. No. 109071 = discontinued product. No longer available. New product 148856 (129.006-3M) | | | | | | | | |
| 109072 | PD-64 | M6x1.0 | 4 | 4.0 | 17.6 | 14.0 | 9.5 | 10 |
| 109073 | PD-66 | M6x1.0 | 6 | 4.0 | 18.6 | 14.5 | 11.5 | 10 |
| Art. No. 109073 = discontinued product. No longer available. New product 148858 (129.006-6M) | | | | | | | | |
| 109074 | PDG-184 | G 1/8 | 4 | 5.5 | 16.5 | 14.0 | 9.5 | 13 |
| 109075 | PDG-186 | G 1/8 | 6 | 5.5 | 16.5 | 16.0 | 11.5 | 13 |
| Art. No. 109075 = discontinued product. No longer available. New product 148860 (129.018-6M) | | | | | | | | |
| 109076 | PDR-184 | R 1/8 | 4 | 7.5 | 18.0 | 14.0 | 9.5 | 10 |
| Art. No. 109076 = discontinued product. No longer available. New product 148861 (130.018-4M) | | | | | | | | |
| 109077 | PDR-186 | R 1/8 | 6 | 7.5 | 19.0 | 14.5 | 11.5 | 10 |



PU-4

Union, mini

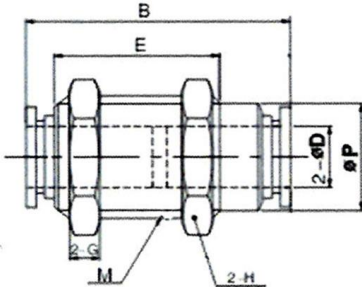
| Art. No. | Type No. | ϕD mm | $\phi D1$ mm | L mm |
|--|----------|----------------|-----------------|---------|
| 109078 | PU-3 | 3 | 7.5 | 21.0 |
| Art. No. 109078 = discontinued product. No longer available. New product 148863 (135.003M) | | | | |
| 109079 | PU-4 | 4 | 9.5 | 26.5 |
| Art. No. 109079 = discontinued product. No longer available. New product 148864 (135.004M) | | | | |
| 109080 | PU-6 | 6 | 11.5 | 27.5 |
| Art. No. 109080 = discontinued product. No longer available. New product 148865 (135.006M) | | | | |



PUR-43

Reducer, mini

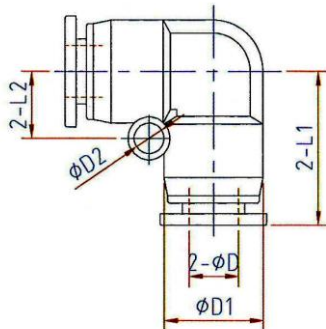
| Art. No. | Type No. | $\phi D1$ mm | $\phi D2$ mm | L mm | ϕP mm |
|---|----------|-----------------|-----------------|---------|----------------|
| 109081 | PUR-43 | 4.0 | 3.0 | 24.9 | 8.1 |
| Art. No. 109081 = discontinued product. No longer available. New product 148866 (136.0403M) | | | | | |
| 109082 | PUR-64 | 6.0 | 4.0 | 25.7 | 11.0 |
| Art. No. 109082 = discontinued product. No longer available. New product 148867 (136.0604M) | | | | | |



PS-123

Bulkhead connector, mini

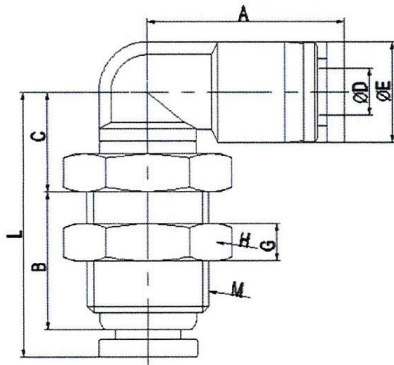
| Art. No. | Type No. | Thread | Ø D mm | B mm | Ø P mm | E mm | H mm | G mm |
|--|----------|---------|--------|------|--------|------|------|------|
| 109083 | PS-83 | M8x0.75 | 3 | 20.3 | 6.0 | 13.0 | 10.0 | 2.3 |
| 109084 | PS-104 | M10x1.0 | 4 | 24.0 | 8.0 | 14.8 | 12.0 | 3.0 |
| 109085 | PS-123 | M12x1.0 | 6 | 23.8 | 10.0 | 15.2 | 14.0 | 4.0 |
| Art. No. 109085 = discontinued product. No longer available. New product 148870 (149.012-3M) | | | | | | | | |



PV-4

Union elbow, mini

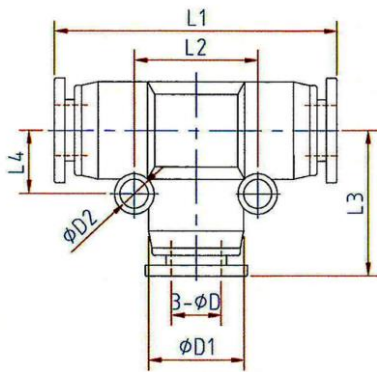
| Art. No. | Type No. | Ø D mm | Ø D1 mm | Ø D2 mm | L1 mm | L2 mm |
|--|----------|--------|---------|---------|-------|-------|
| 109086 | PV-3 | 3 | 7.5 | 3.2 | 12.0 | 4.8 |
| 109087 | PV-4 | 4 | 9.5 | 3.2 | 14.5 | 6.0 |
| Art. No. 109087 = discontinued product. No longer available. New product 148872 (137.004M) | | | | | | |
| 109088 | PV-6 | 6 | 11.5 | 3.2 | 16.0 | 6.5 |
| Art. No. 109088 = discontinued product. No longer available. New product 148873 (137.006M) | | | | | | |



PWS-126

Bulkhead connector, elbow type, mini

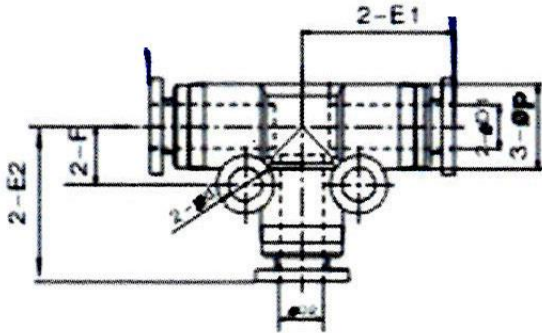
| Art. No. | Type No. | Thread | Ø D mm | A mm | B mm | C mm | E mm | L mm | H mm | G mm |
|----------|----------|---------|--------|------|------|------|------|------|------|------|
| 109089 | PWS-83 | M8x0.75 | 3 | 12.0 | 11.0 | 7.7 | 7.0 | 21.6 | 10.0 | 2.3 |
| 109090 | PWS-104 | M10x1.0 | 4 | 15.7 | 11.0 | 8.0 | 8.2 | 22.5 | 12.0 | 3.0 |
| 109091 | PWS-126 | M12x1.0 | 6 | 16.0 | 14.2 | 11.1 | 11.1 | 28.8 | 12.0 | 4.0 |



PG-4

Union tee, mini

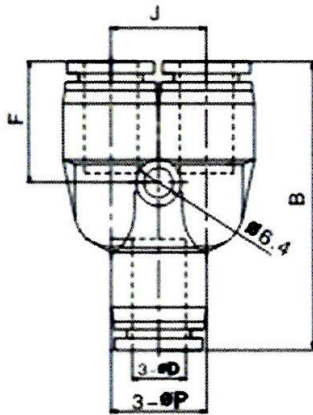
| Art. No. | Type No. | Ø D mm | Ø D1 mm | Ø D2 mm | L1 mm | L2 mm | L3 mm | L4 mm |
|--|----------|--------|---------|---------|-------|-------|-------|-------|
| 109092 | PG-3 | 3 | 7.5 | 3.2 | 23.5 | 9.6 | 11.8 | 4.8 |
| Art. No. 109092 = discontinued product. No longer available. New product 148877 (138.003M) | | | | | | | | |
| 109093 | PG-4 | 4 | 9.5 | 3.2 | 29.0 | 12.0 | 14.5 | 6.0 |
| Art. No. 109093 = discontinued product. No longer available. New product 148878 (138.004M) | | | | | | | | |
| 109094 | PG-6 | 6 | 11.5 | 3.2 | 32.0 | 13.0 | 16.0 | 6.5 |
| Art. No. 109094 = discontinued product. No longer available. New product 148879 (138.006M) | | | | | | | | |



PGR-43

Union tee, unequal, mini

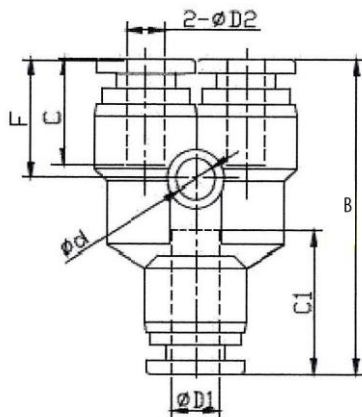
| Art. No. | Type No. | Ø D1 mm | Ø D2 mm | Ø P mm | E1 mm | Ø d mm | F mm | E2 mm |
|---|----------|------------|------------|-----------|----------|-----------|---------|----------|
| 109095 | PGR-43 | 4 | 3 | 8.2 | 14.7 | 3.2 | 6.0 | 11.4 |
| 109096 | PGR-64 | 6 | 4 | 10.7 | 16.4 | 3.2 | 7.0 | 14.7 |
| Art. No. 109096 = discontinued product. No longer available. New product 148881 (138.0604M) | | | | | | | | |



PY-3

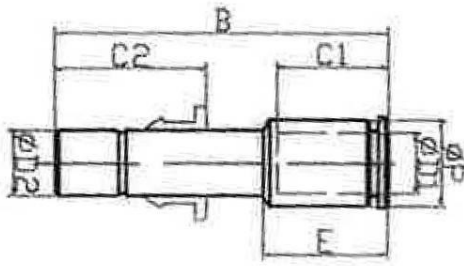
Y union, mini

| Art. No. | Type No. | Ø D mm | B mm | Ø P mm | J mm | F mm |
|--|----------|--------|------|--------|------|------|
| 109097 | PY-3 | 3 | 28.8 | 8.1 | 8.0 | 12.8 |
| 109098 | PY-4 | 4 | 29.4 | 8.2 | 8.0 | 13.2 |
| Art. No. 109098 = discontinued product. No longer available. New product 148883 (140.004M) | | | | | | |
| 109099 | PY-6 | 6 | 31.8 | 10.7 | 10.7 | 13.4 |
| Art. No. 109099 = discontinued product. No longer available. New product 148884 (140.006M) | | | | | | |



Y union, unequal, mini

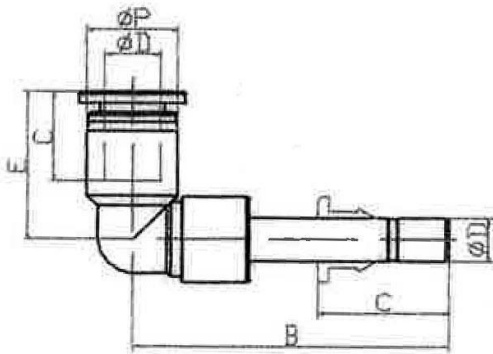
| Art. No. | Type No. | C1 mm | C mm | B mm | F mm | Ø d mm | Ø D1 mm | Ø D2 mm |
|---|----------|-------|------|------|------|--------|---------|---------|
| 109100 | PYR-43 | 12.0 | 9.3 | 29.1 | 12.9 | 3.1 | 4 | 3 |
| Art. No. 109100 = discontinued product. No longer available. New product 148885 (141.0403M) | | | | | | | | |
| 109101 | PYR-64 | 12.4 | 12.0 | 31.6 | 13.2 | 3.2 | 6 | 4 |
| Art. No. 109101 = discontinued product. No longer available. New product 148886 (141.0604M) | | | | | | | | |



PSR-43

Reducer with push-in plug, mini

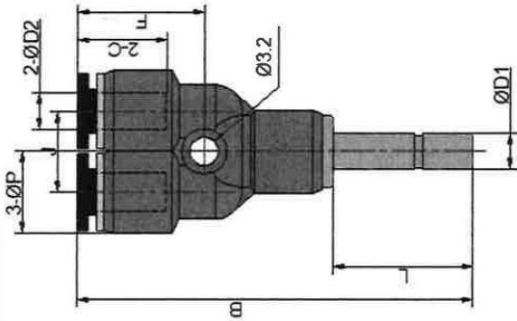
| Art. No. | Type No. | Ø D1 mm | Ø D2 mm | Ø P mm | C1 mm | C2 mm | B mm | E mm | Material |
|----------|----------|---------|---------|--------|-------|-------|------|------|---------------------|
| 109102 | PSR-43 | 3 | 4 | 6.2 | 10.0 | 12.0 | 28.8 | 11.8 | Nickel-plated brass |
| 109103 | PSR-64 | 4 | 6 | 8.0 | 12.0 | 13.5 | 32.2 | 13.2 | Nickel-plated brass |



PLS-66

Union elbow with push-in plug, mini

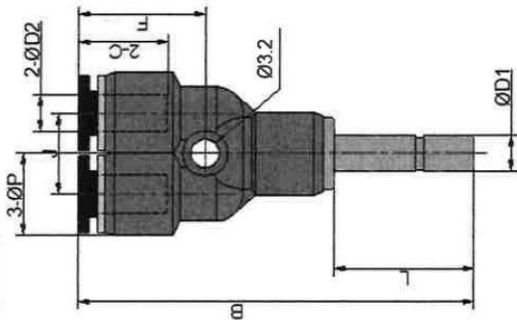
| Art. No. | Type No. | Ø D1 mm | Ø P mm | C1 mm | B mm | E mm |
|----------|----------|---------|--------|-------|------|------|
| 109104 | PLS-33 | 3 | 6.5 | 10.0 | 26.6 | 11.5 |
| 109105 | PLS-44 | 4 | 8.0 | 12.0 | 28.5 | 14.0 |
| 109106 | PLS-66 | 6 | 10.5 | 13.5 | 32.0 | 16.3 |



PYS-6

Y union with push-in plug, mini

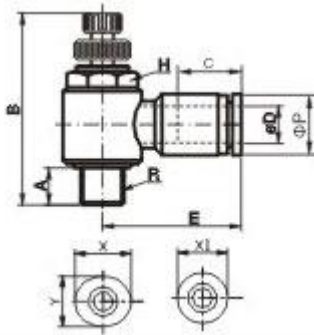
| Art. No. | Type No. | Ø D1 mm | Ø D2 mm | B mm | Ø P mm | L mm | C mm | F mm | J mm |
|----------|----------|---------|---------|------|--------|------|------|------|------|
| 109107 | PYS-3 | 3 | 3 | 38.0 | 7.0 | 13.0 | 9.0 | 12.0 | 7.0 |
| 109108 | PYS-4 | 4 | 4 | 43.0 | 9.5 | 15.5 | 11.0 | 14.0 | 9.0 |
| 109109 | PYS-6 | 6 | 6 | 46.0 | 11.0 | 16.0 | 11.5 | 15.0 | 11.0 |



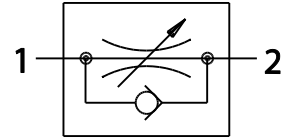
PYSR-64

Y union with push-in plug, unequal, mini

| Art. No. | Type No. | Ø D1 mm | Ø D2 mm | B mm | Ø P mm | L mm | C mm | F mm | J mm |
|----------|----------|---------|---------|------|--------|------|------|------|------|
| 109110 | PYSR-43 | 4 | 3 | 40.5 | 7.0 | 15.5 | 9.0 | 12.0 | 7.0 |
| 109111 | PYSR-64 | 6 | 4 | 43.5 | 9.5 | 16.0 | 11.0 | 14.0 | 9.0 |

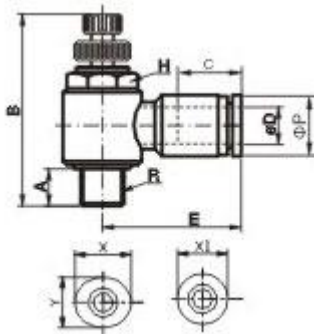


282.003-3

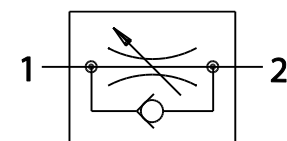


Unidirectional flow control valve with incoming air restriction, adjustable with knurled screw, angled, swivel type, metric male thread with O-ring (NBR)

| Art. No. | Type No. | Ø D mm | R Mm | A mm | H mm | E mm | B mm | C mm | Ø P mm |
|----------|-----------|--------|------|------|------|------|------|------|--------|
| 135548 | 282.003-3 | 3 | M3 | 3 | 8 | 16.4 | 31.2 | 9.3 | 8.1 |
| 135549 | 282.003-4 | 4 | M3 | 3 | 8 | 16.7 | 31.2 | 12.0 | 8.1 |
| 135550 | 282.003-6 | 6 | M3 | 3 | 8 | 18.1 | 31.2 | 12.4 | 10.7 |
| 135551 | 282.005-3 | 3 | M5 | 3.5 | 8 | 16.4 | 31.7 | 9.3 | 8.1 |
| 135552 | 282.005-4 | 4 | M5 | 3.5 | 8 | 16.7 | 31.7 | 12.0 | 8.1 |
| 135553 | 282.005-6 | 6 | M5 | 3.5 | 8 | 18.1 | 31.7 | 12.4 | 10.7 |



283.003-3



Unidirectional flow control valve with outgoing air restriction, adjustable with knurled screw, angled, swivel type, metric male thread with O-ring (NBR)

| Art. No. | Type No. | Ø D mm | R Mm | A mm | H mm | E mm | B mm | C mm | Ø P mm |
|----------|-----------|--------|------|------|------|------|------|------|--------|
| 135554 | 283.003-3 | 3 | M3 | 3 | 8 | 16.4 | 31.2 | 9.3 | 8.1 |
| 135555 | 283.003-4 | 4 | M3 | 3 | 8 | 16.7 | 31.2 | 12.0 | 8.1 |
| 135556 | 283.003-6 | 6 | M3 | 3 | 8 | 18.1 | 31.2 | 12.4 | 10.7 |
| 135557 | 283.005-3 | 3 | M5 | 3.5 | 8 | 16.4 | 31.7 | 9.3 | 8.1 |
| 135558 | 283.005-4 | 4 | M5 | 3.5 | 8 | 16.7 | 31.7 | 12.0 | 8.1 |
| 135559 | 283.005-6 | 6 | M5 | 3.5 | 8 | 18.1 | 31.7 | 12.4 | 10.7 |

